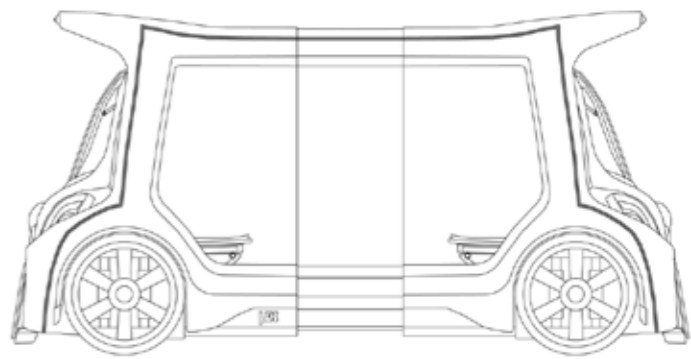
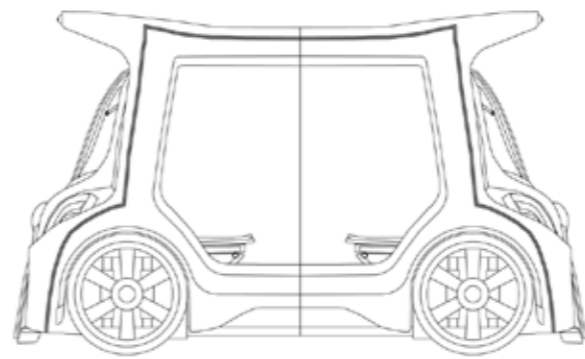
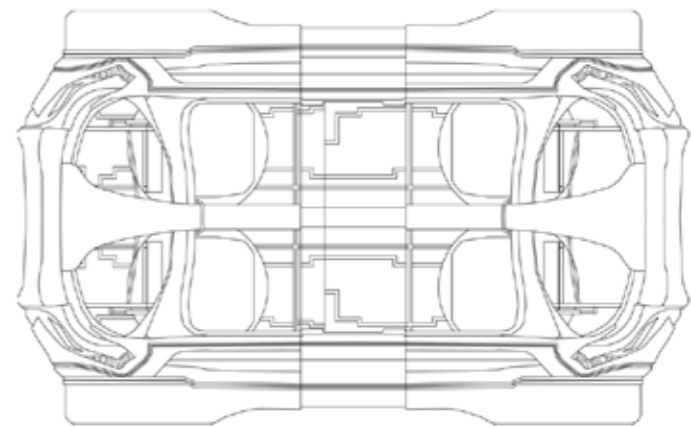
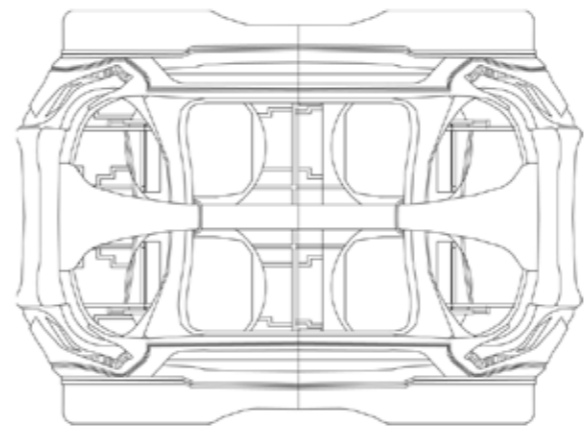


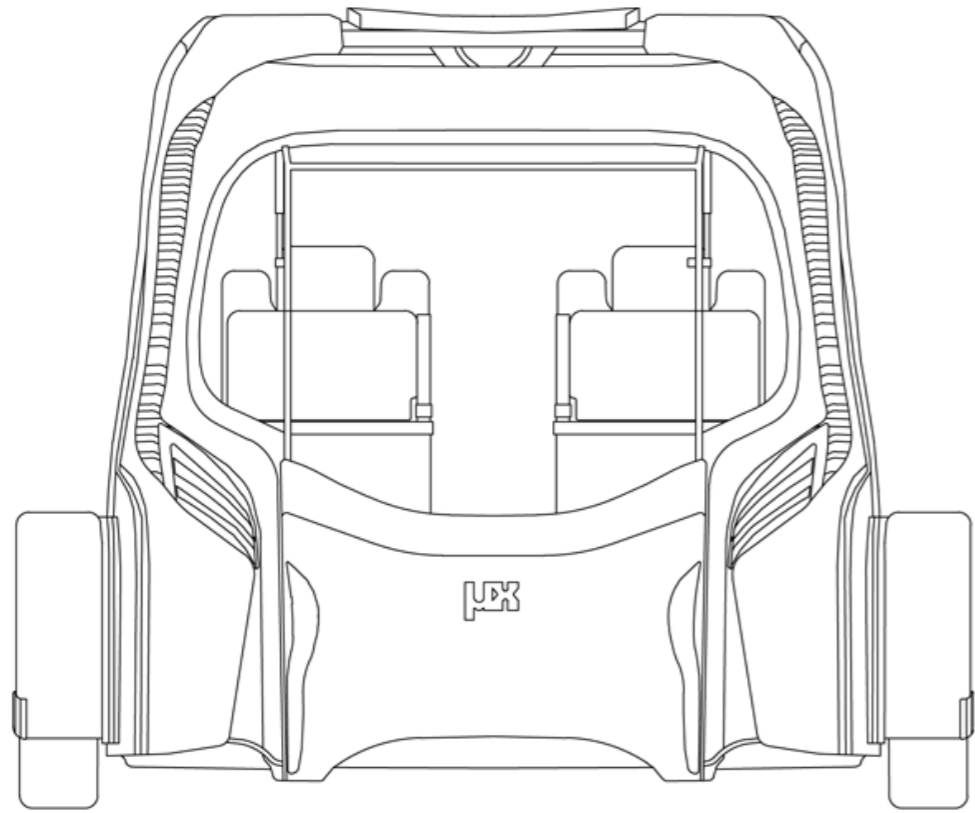
μx

LIANG CHEN

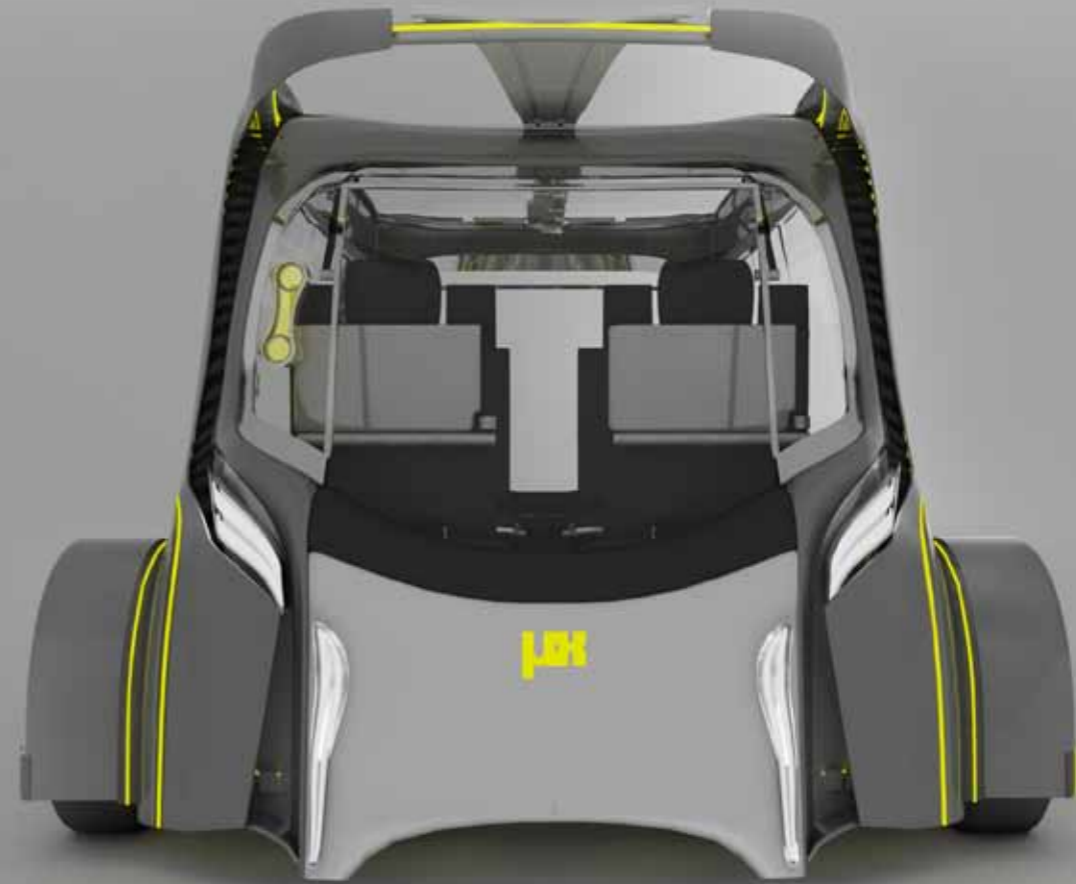
THE DRIVERLESS CAR THAT CAN CHANGE ITS FORM

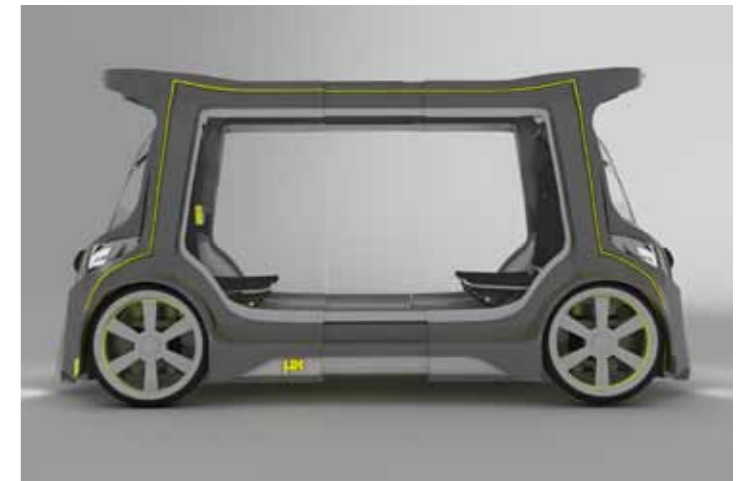
People of 2030 will be transported in the μx car. The car will not only be driverless but will have the ability to perform as an extension of its inhabitants. In the year 2030 the urban environment would be fossil fuel-free leading the way will be the μx car. It will consist of innovative methods of energy consumption and conservation. Along with its awareness with energy it will adapt the latest technology in communications. With the release of the driverless car the infrastructure of urban environment will also adapt to its needs creating a harmonic environment. With its innovative steps forward to its unique design the driverless car will be beneficial from the years 2030 onwards. The scheme will be operated through car sharing or car rental systems. The occupants will either book their trips online or via smart phone devices. Then the car will be driven to the nearest safe pick up point. The driverless system will reduce congestion and eliminates bad driving





*Front an back of the car look the same
because the car can drive in both directions.*





The car change its form depending on the number of passengers. The axle allows to extend the shape of the car so more people can sit inside of it.